

## HDC\_100

### Mini Remote Ball Camera



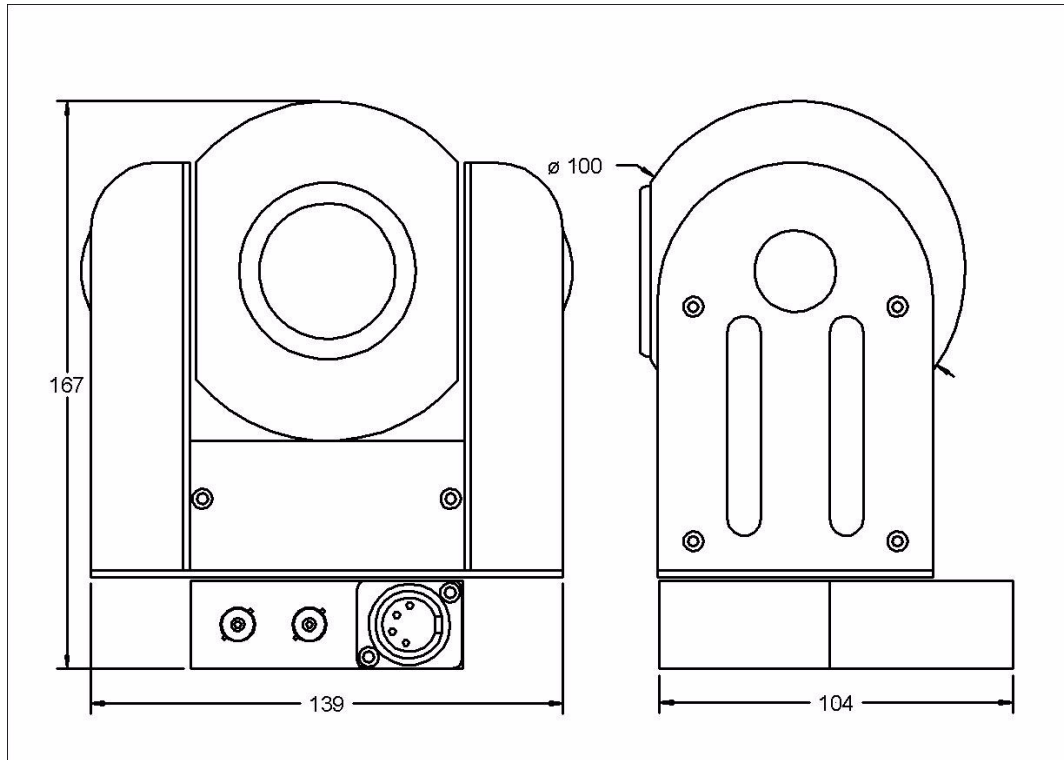
- 100mm diameter ball
- Smooth & quiet operation
- 2 Megapixel HD CMOS Camera
- HD/SD switchable, PAL, NTSC, 1080i, 720p,
- 10:1 zoom
- Inverted or Upright Mounting
- 32 Preset positions P,T,Z,F
- 10 bit SDI / HDSDI
- Infra-Red sensitive option
- All-in-one design - no CCU box

The **HD\_100** is possibly the smallest, all-in-one, fully remote, HD camera available. Although small, it retains the features of our larger cameras including the full on-shot move capability across the 1800:1 speed range. Fully proportional and simultaneous Pan, Tilt, Zoom and Focus moves are standard on the **HDC\_100**.

The camera is the same specification as our popular **BE\_HD10** Mini camera which can be switched to either SD or HD in many formats. CCU functions are also controllable via the single data and power link over a simple XLR4 cable. The camera is completely self contained and there are no additional boxes. The outputs are on the fixed base of the camera which makes rigging very easy.

The **HDC\_100** is ideal for single or multi-camera systems in theatres, reality shows, conferences, commentary positions, dressing rooms, vehicles, or anywhere that a small discrete camera is required with full remote control.

## Dimensions:



**Weight:** 1.5kg

**Data:** RS485. Max. cable length 1km.

**Power:** 12-24v @ 1A

**Outputs:** A. SDI & Composite PAL, NTSC 4:3 or 16:9  
B. HDSDI, 1080i/50, 1080i/59.94, 720p/50, 720p/59.94

**Pan Speed:** 90deg/sec to 0.05deg/sec (Can be changed as an option)

**Tilt Speed:** 50deg/sec to 0.03deg/sec (Can be changed as an option)

**Pan Range:** 250deg.

**Tilt Range:** 260deg.

**Options:** Wide angle converters  
Infra Red Sensitive  
Colour Options  
Sony Protocols

